

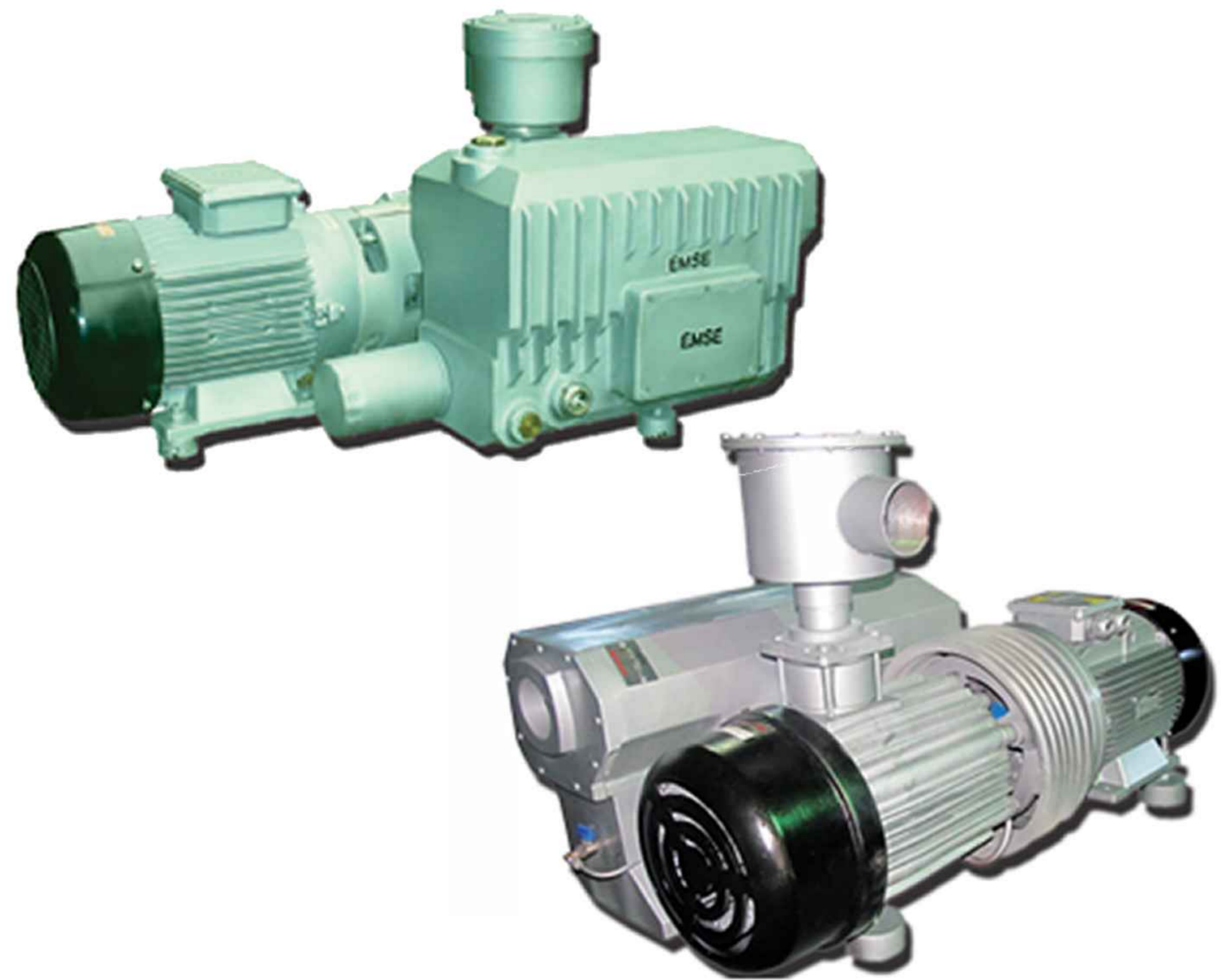
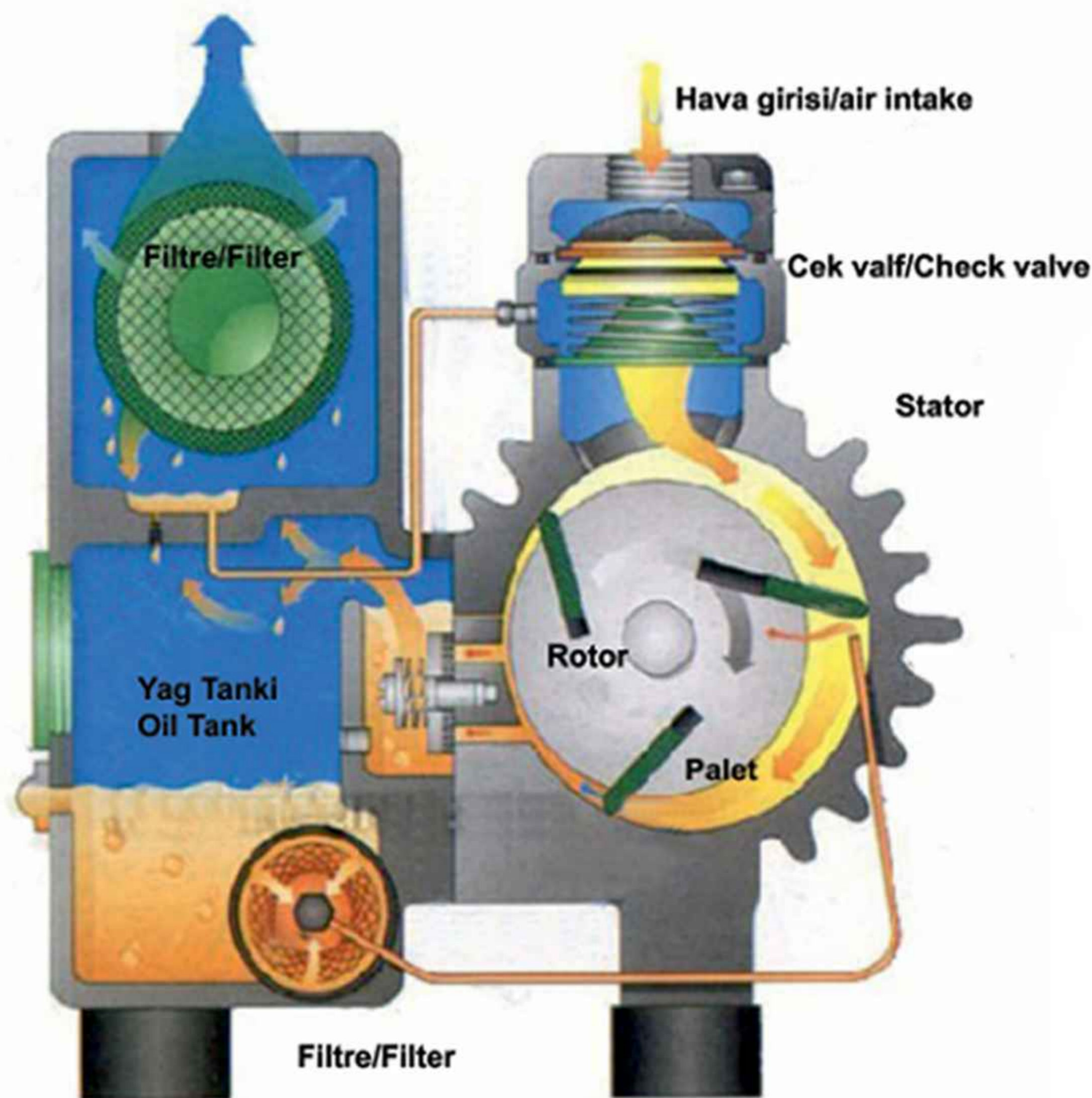


OIL VACUUM PUMPS



OIL VACUUM PUMPS

EVYP oiled vacuum pumps create vacuum with a stator and a rotor support placed eccentrically within this stator. The gas entering the stator by air suction from the top of the stator is compressed into compartments between the pallets. The gas-oil mixture compressed in the narrowing chamber is thrown into the oil tank to which it is connected through the stator outlet holes. In this tank, the gas oil mixture is separated with the help of both mechanical effect and filters. As a result, the vacuum-drawn gas is separated from the oil and given to the exhaust line. The separated oil is filtered and the circulation in the system continues.





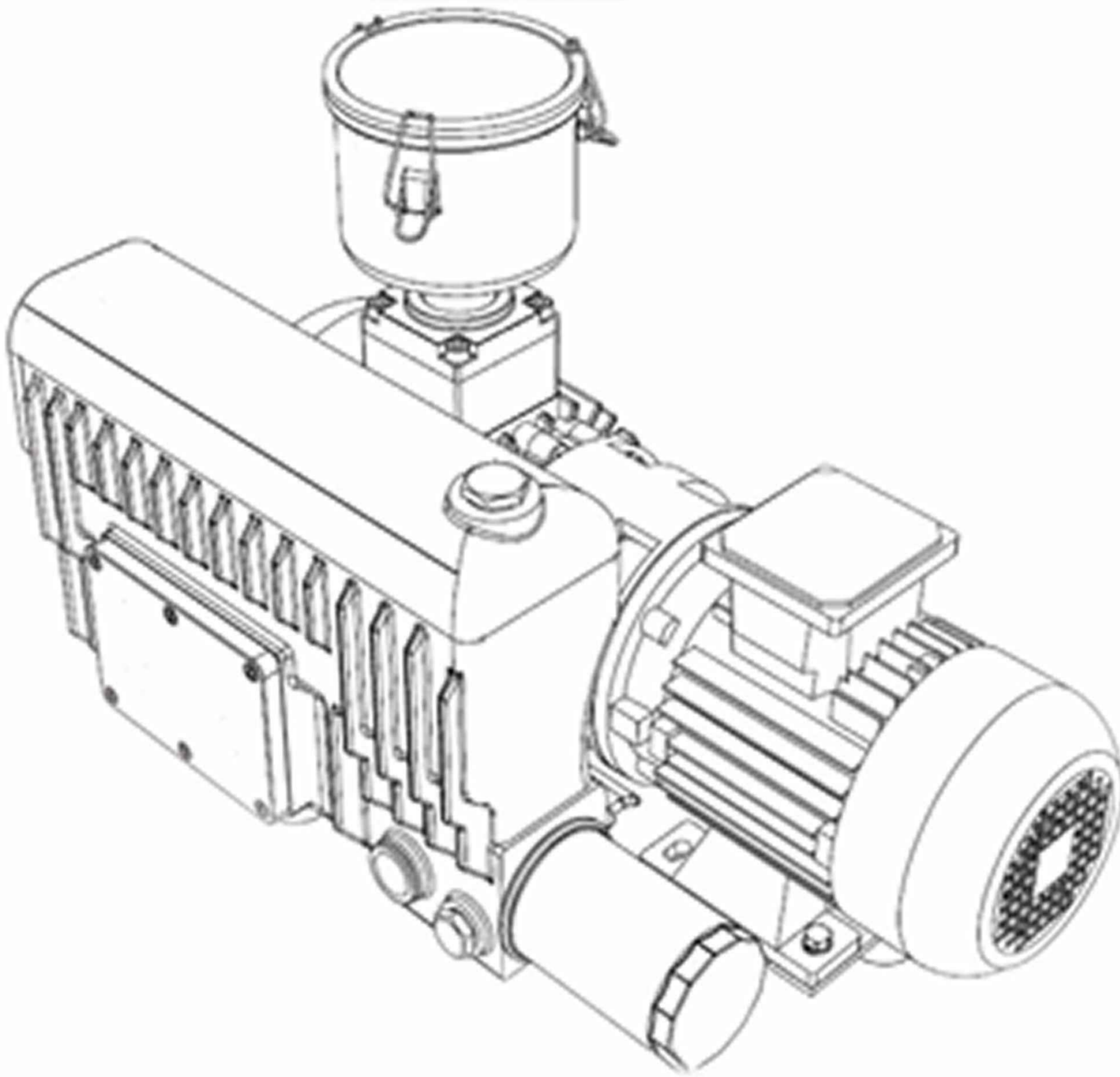
OIL VACUUM PUMP - EVYP

AREAS OF USE

- * Vacuum Packaging
- * Vacuum Transport
- * Medical Vacuum
- * Tunneling
- * Tree Shaping
- * Electronic Assembly
- * In Food Processes
- * In Plastic Thermoforming

PUMP FEATURES

- * Motor connected via coupling
- * Low noise level
- * Easy maintenance
- * Air cooled
- * Vibration-absorbing rubber wedge
- * Air and oil back from the pump body check valve to prevent escape
- * Sturdy pallet





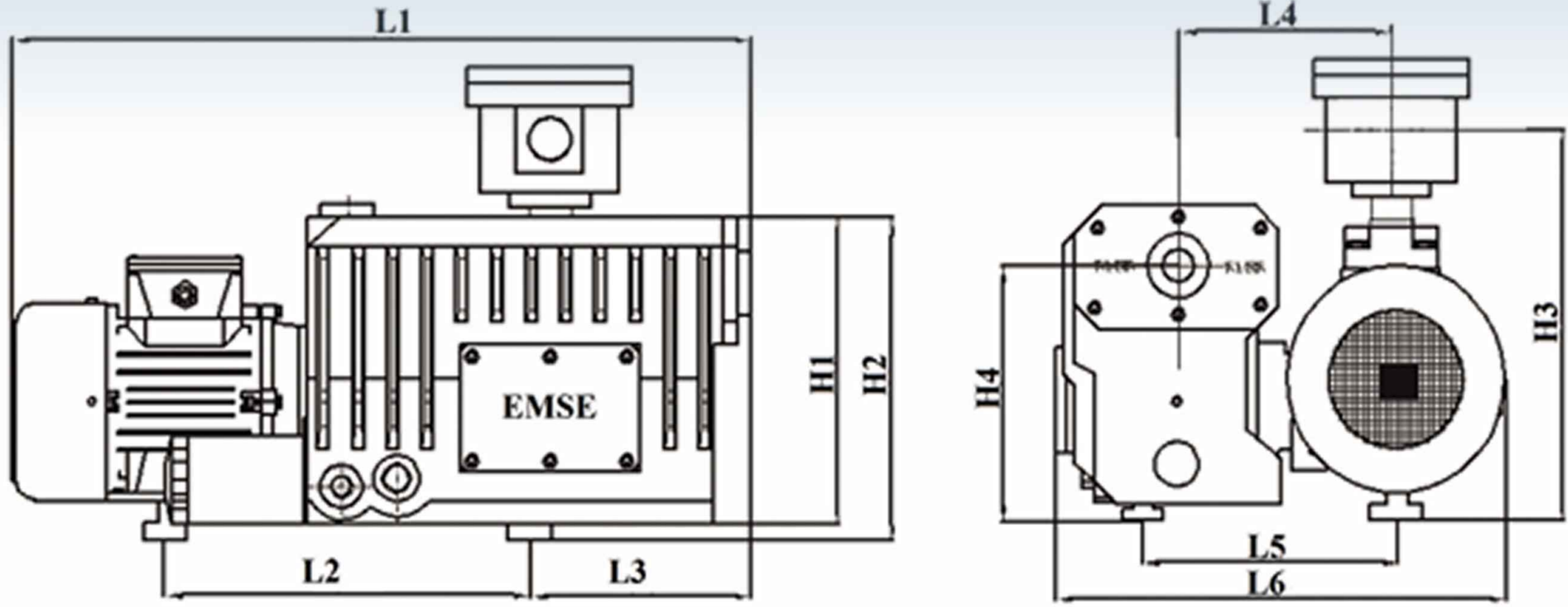
Oil Vacuum Pump Selection Chart

PALETLİ (YAĞLI) TİP VAKUM POMPALARI							
OIL LUBRICATED VACUUM PUMP							
Tip	Giriş/Çıkış	Güç	Devir	Basınç	Kapasite	Yağ Miktarı	Çalışma Sıcaklığı
TYPE	Inlet/Outlet	Power	Speed	Pressure	Capacity	Oil Amount	Working Temperature
		kW	d/d-rpm	mbar	m ³ /s-m ³ /h	l	C
EVYP 1005	3/4"	0.37	1500	10	10	0.5	80
EVYP 1015	3/4"	0.37	1500		16	0.5	80
EVYP 1025	1"	0.75	1500		25	1.2	80
EVYP 1040	1"	1.1	1500		40	1.2	80
EVYP 1065	1 1/2"	1.5	1500		65	2	80
EVYP 1100	1 1/2"	2.2	1500		100	2	80
EVYP 1175	2"	4	1500		175	2	80
EVYP 1250	2"	5.5	1500		250	4	80
EVYP 1300	2"	7.5	1500		300	5	80
EVYP 1600	2"	15	1500		600	6	80
EVYP 2005	3/4"	0.37	1500	10	5	0.5	80
EVYP 2015	3/4"	0.37	1500		15	0.5	80
EVYP 2025	1"	0.75	1500		25	1.2	80
EVYP 2040	1"	1.1	1500		40	1.2	80
EVYP 2065	1 1/2"	1.5	1500		65	2	80
EVYP 2100	1 1/2"	2.2	1500		100	2	80

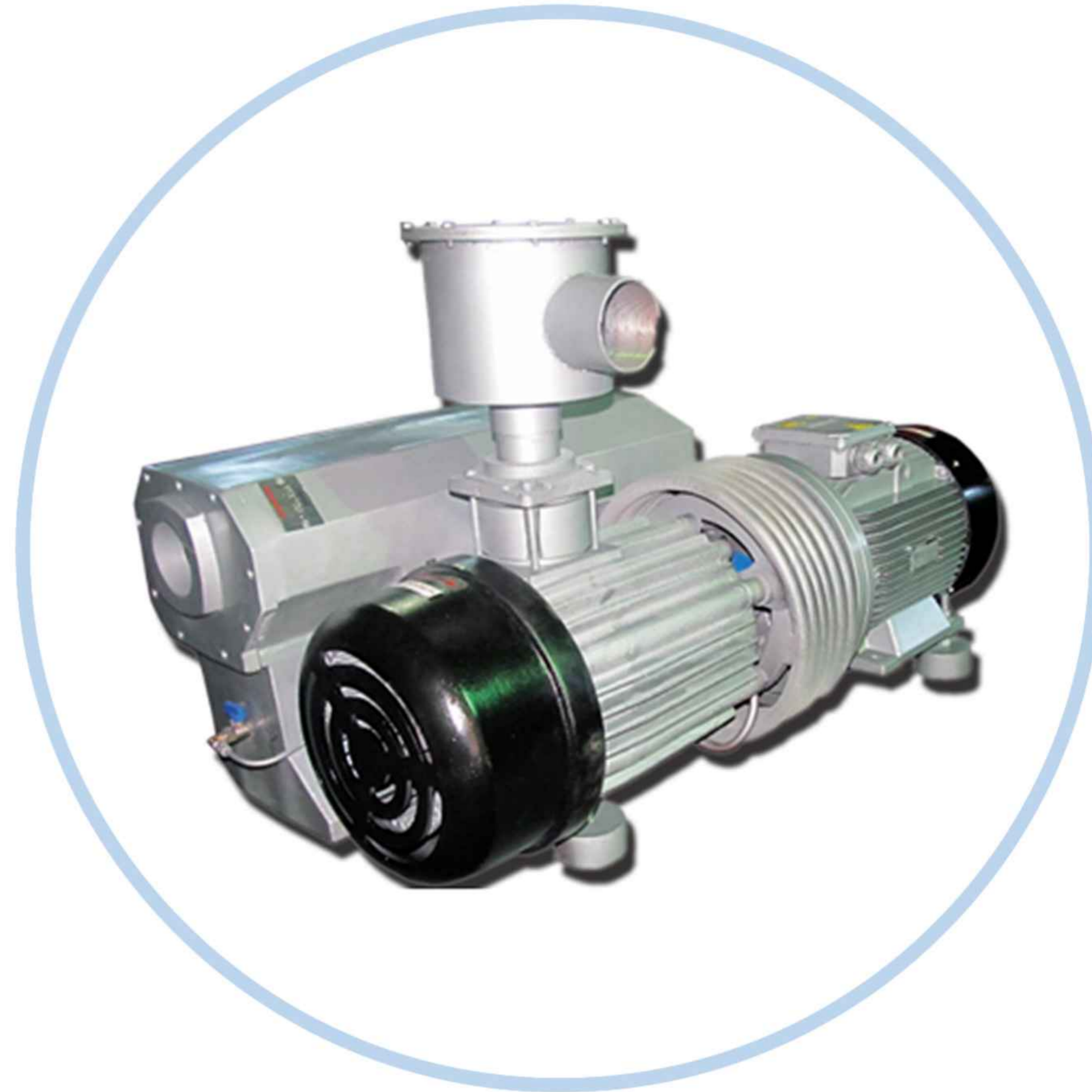




Pump Dimensions



Pump Model	Ölçü / Dimension (mm)									
	L1	L2	L3	L4	L5	L6	H1	H2	H3	H4
EYVP1005	485	275	110	110	140	220	175	214	255	173
EYVP1015	485	275	110	110	140	220	175	214	255	173
EYVP 1065	700	345	175	210	245	420	270	280	350	240
EYVP 1100	700	345	175	210	245	420	270	280	350	240
EYVP 1175	1050	380	245	270	355	570	370	415	520	335
EYVP 1250	1050	380	245	270	355	570	370	415	520	335
EYVP 1305	1050	380	245	270	355	570	370	415	520	335
EYVP 1600	1750	600	950	380	470	870	900	920	950	520





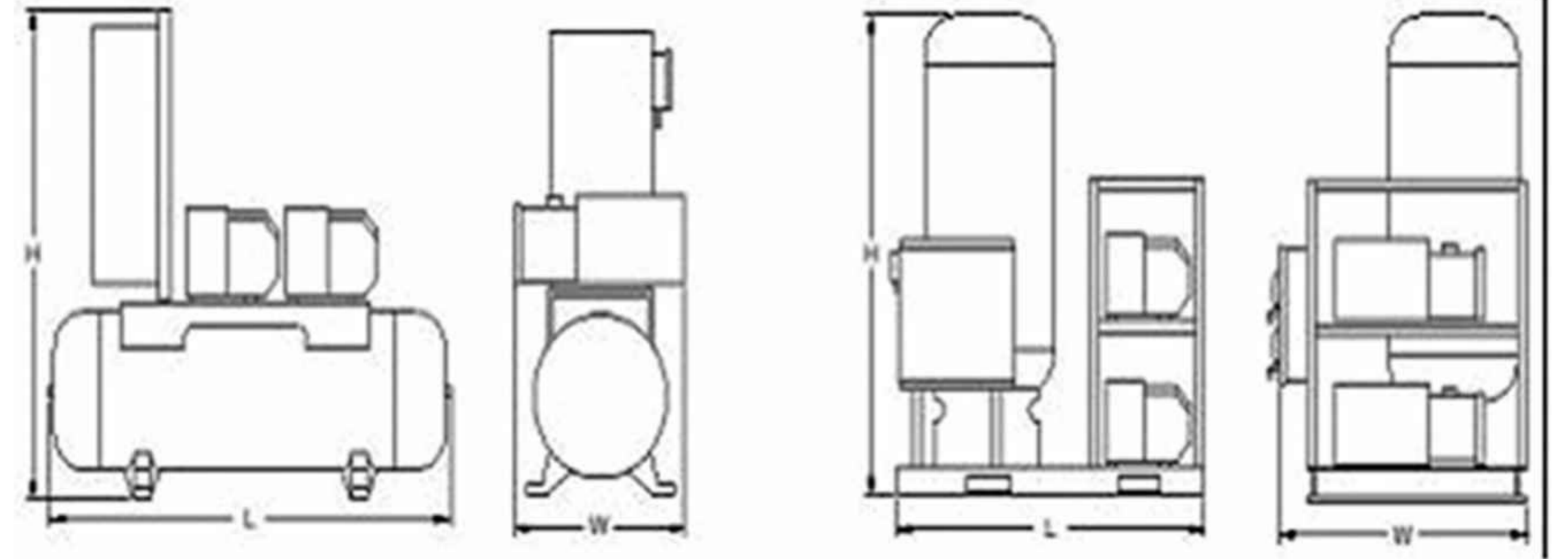
VACUUM SYSTEMS

VACUUM SYSTEMS

EVC series vacuum systems consist of gas tank, vacuum indicator automatic control system, adapted as EYVP oil vacuum main system.

Features of the system

- * Manual and automatic control option
- * Vacuum degree adjustable
- * Vacuum tank can be vertical or horizontal
- * High power with simple operation and powerful vacuum capacity can meet.
- * It moves easily, takes up little space and has special does not require a vacuum chamber.



Tip / Type	Mak. Hız / Max speed m ³ /h	Vakum Pom-pası / Vacuum pump	Adet / Quantity	Bas.pre.	Tank
				MPa	M3
EVC-1X010	10	EVYP 1005	1	0~-0.1	0.06~0.3
EVC-1X020	20	EVYP 1025	1	0~-0.1	0.06~0.3
EVC-1X040	40	EVYP 1040	1	0~-0.1	0.06~0.3
EVC-1X063	63	EVYP 1065	1	0~-0.1	0.06~0.3
EVC-1X100	100	EVYP 1100	1	0~-0.1	0.06~0.3
EVC-1X160	160	EVYP 1175	1	0~-0.1	0.3~2
EVC-1X250	250	EVYP 1250	1	0~-0.1	0.3~2
EVC-1X300	300	EVYP 1300	1	0~-0.1	0.3~2
EVC-2X010	20	EVYP 1005	2	0~-0.1	0.06~0.3
EVC-2X020	40	EVYP 1025	2	0~-0.1	0.06~0.3
EVC-2X040	80	EVYP 1040	2	0~-0.1	0.3~2
EVC-2X063	126	EVYP 1065	2	0~-0.1	0.3~2
EVC-2X100	200	EVYP 1100	2	0~-0.1	0.3~2
EVC-2X160	320	EVYP 1175	2	0~-0.1	0.3~2
EVC-2X250	500	EVYP 1250	2	0~-0.1	0.3~2
EVC-2X300	600	EVYP 1300	2	0~-0.1	0.3~2
EVC-3X160	480	EVYP 1175	3	0~-0.1	0.3~2
EVC-3X250	750	EVYP 1250	3	0~-0.1	0.3~2
EVC-3X300	900	EVYP 1300	3	0~-0.1	0.3~2

